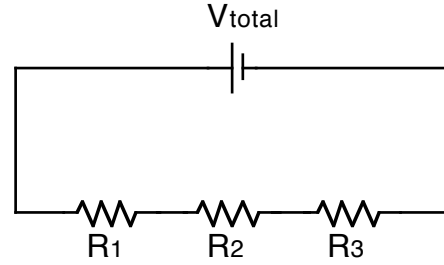


More Circuit Problems

Fill in the missing information for each of the given circuits

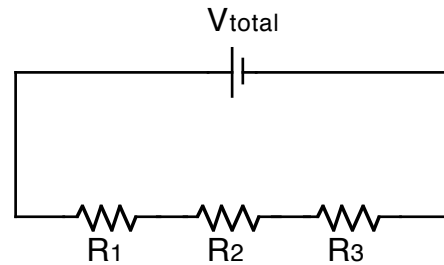
Circuit 1

	R	I	V	
R ₁	2 Ω			V _t =
R ₂		0.5 A		I _t =
R ₃	3 Ω			R _t = 7 Ω



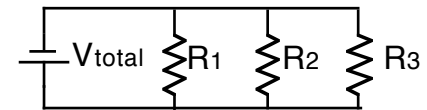
Circuit 2

	R	I	V	
R ₁	5 Ω			V _t = 20 V
R ₂	4 Ω			I _t =
R ₃	1 Ω			R _t =



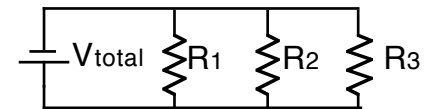
Circuit 3

	R	I	V	
R ₁	3 Ω			V _t = 12 V
R ₂	6 Ω			I _t =
R ₃	3 Ω			R _t =



Circuit 4

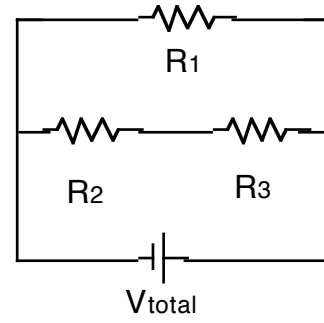
	R	I	V	
R ₁	2 Ω	2 A		V _t =
R ₂				I _t = 7 A
R ₃	4 Ω			R _t =



More Circuit Problems

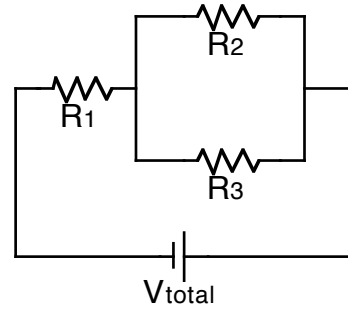
Circuit 5

	R	I	V	
R_1				$V_t = 5\text{ V}$
R_2	$2\ \Omega$			$I_t = 3\text{ A}$
R_3		0.5 A		$R_t =$



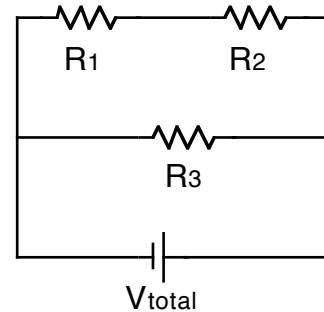
Circuit 6

	R	I	V	
R_1		3 A	6 V	$V_t =$
R_2	$2\ \Omega$			$I_t =$
R_3		1.5 A		$R_t =$



Circuit 7

	R	I	V	
R_1	$1\ \Omega$	2 A		$V_t =$
R_2				$I_t =$
R_3	$5\ \Omega$	1 A		$R_t =$



Circuit 8

	R	I	V	
R_1		6 A		$V_t =$
R_2				$I_t = 9\text{ A}$
R_3			36 V	$R_t = 10\ \Omega$

