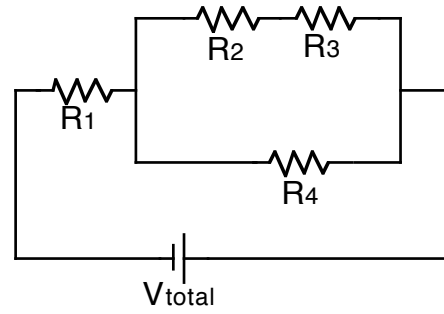


Challenge Circuits

Fill in the missing information for each of the given circuits

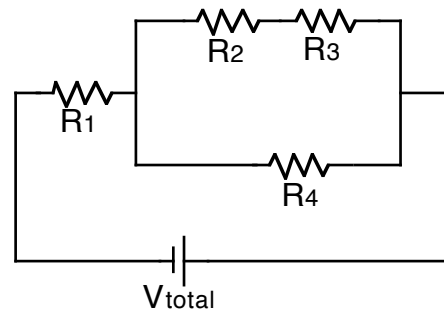
Circuit 1

	R	I	V	
R_1	$3\ \Omega$			$V_t = 14\ \text{V}$
R_2		$2/3\ \text{A}$		$I_t =$
R_3	$3\ \Omega$			$R_t =$
R_4			$8\ \text{V}$	



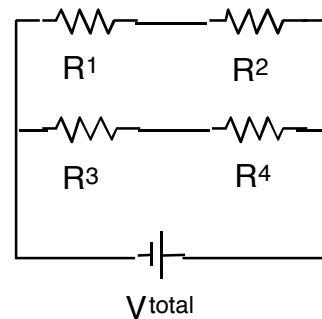
Circuit 2

	R	I	V	
R_1			$3\ \text{V}$	$V_t =$
R_2				$I_t = 4\ \text{A}$
R_3	$2\ \Omega$			$R_t =$
R_4	$9\ \Omega$	$1\ \text{A}$		



Circuit 3

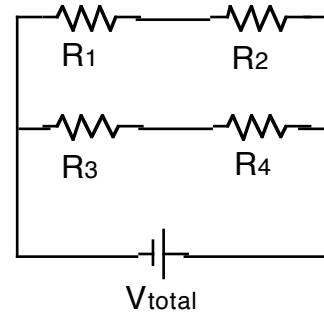
	R	I	V	
R_1		$3/2\ \text{A}$		$V_t = 12\ \text{V}$
R_2	$3\ \Omega$			$I_t = 5/2\ \text{A}$
R_3	$3\ \Omega$			$R_t =$
R_4				



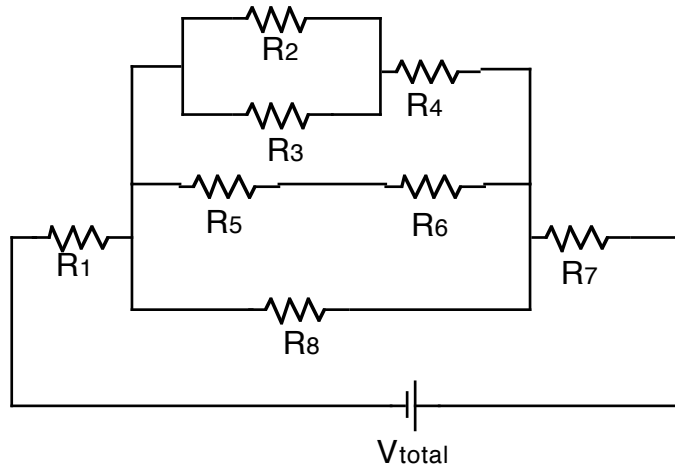
Challenge Circuits

Circuit 4

	R	I	V	
R ₁			8 V	$V_t =$
R ₂			16 V	$I_t = 6 \text{ A}$
R ₃	2 Ω			$R_t =$
R ₄	4 Ω			



Circuit 5



	R	I	V	
R ₁				$V_t = 36 \text{ V}$
R ₂		1 A		$I_t = 6 \text{ A}$
R ₃	3 Ω	2 A		$R_t =$
R ₄				
R ₅		2 A		
R ₆			8 V	
R ₇	1 Ω			
R ₈			18 V	